

Twin Hose, Spring Retractable Reels

Dual Hydraulic - 1/4", 3/8", 1/2" I.D.

- Used for medium pressure, dual hydraulic hose applications
- Ideal for operating hydraulic cylinders, tools, and equipment
- Incorporates contemporary engineering and manufacturing techniques to give a trouble-free performance
- Hose specifications - polyester elastomer tube with proprietary polyurethane blend, perforated black cover
- Individually powder coated components offer the maximum protection from premature corrosion
- The high quality spring steel is conditioned to ensure there are no imperfections offering maximum service life
- Declutching arbor virtually eliminates the possibility of spring damage due to reverse winding
- All models include a full flow, high volume swivel for maximum delivery

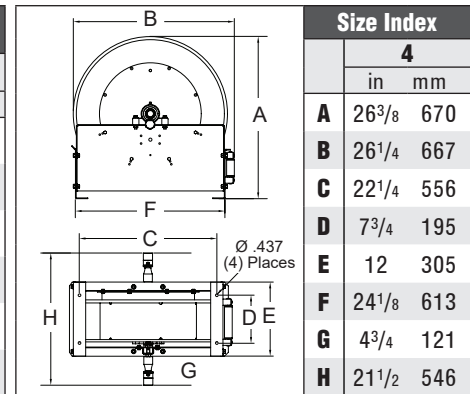
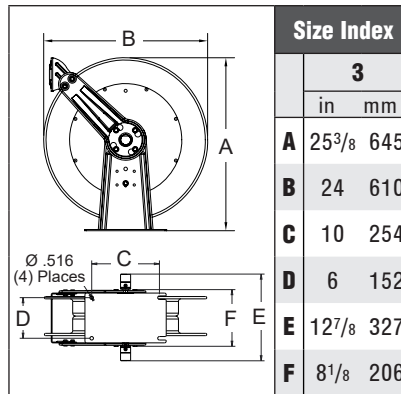
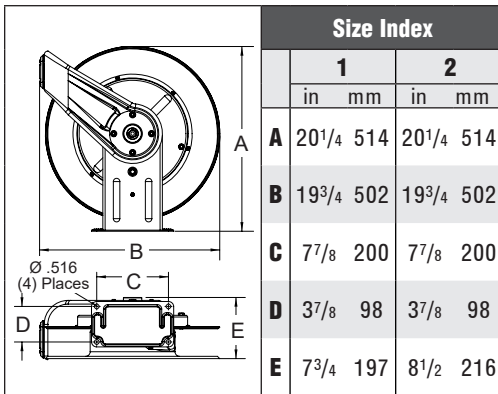
NEW!



THHD76045 OMP



TH88050 OMP



Model with hose & bumper	Shipping Weight		Hose I.D.		Hose O.D.		Hose Length		Max Pressure		NPT(M) Hose Outlet	NPT(F) Reel Inlet	Reel Outlet	Size Index #
	lbs	kg	in	mm	in	mm	ft	m	psi	bar	in	in	in	
Medium Pressure Hydraulic Reels Maximum Temperature 210 °F (99 °C)														
TH5425 OMP	34	15	1/4	6	.530	13	25	8	2000	138	1/4	1/4	1/4 NPT(F)	*
TH7445 OMP	60	27	1/4	6	.530	13	45	14	2000	138	1/4	1/4	1/4 NPT(F)	1
THA7630 OMP	53	24	3/8	6	.660	17	30	9	2000	138	3/8	3/8	9/16-18 JIC(M)	1
THHD76045 OMP	78	35	3/8	10	.660	17	45	14	2000	138	3/8	3/8	3/4-16 JIC(M)	2
TH86050 OMP	99	45	3/8	10	.710	18	50	15	2000	138	3/8	3/8	3/8 NPT(F)	3
THA7825 OMP	57	26	1/2	13	.850	22	25	8	2000	138	3/4 JIC(F)	1/2	3/4 JIC(M)	1
TH88050 OMP	104	47	1/2	13	.850	22	50	15	2000	138	1/2	1/2	1/2" NPT(F)	3
TH9265 OMPBW	155	70	1/2	13	.910	24	65	20	2000	138	1/2	1/2	1/2 NPT(F)	4

*See page 10 size index 1

Model without hose & bumper	Shipping Weight		Hose Capacity			Max Pressure	NPT(F) Reel Inlet	Reel Outlet	Size Index #				
	lbs	kg	I.D.	O.D.	Length								
Medium Pressure Hydraulic Reels Maximum Temperature 210 °F (99 °C)													
TH5400 OMP	24	11	1/4	6	.530	13	25	8	3000	207	1/4	1/4 NPT(F)	*
THHD74005 OMP	60	27	1/4	6	.530	13	70	21	3000	207	1/4	7/16-20 JIC(M)	2
THA7600 OMP	44	20	3/8	10	.660	17	30	9	3000	207	3/8	9/16-18 JIC(M)	1
TH86000 OMP	88	40	3/8	10	.710	18	50	15	3000	207	3/8	3/8 NPT(F)	3
THA7800 OMP	50	23	1/2	13	.850	22	25	8	3000	207	1/2	3/4 JIC(M)	1
TH88000 OMP	88	40	1/2	13	.850	22	50	15	3000	207	1/2	1/2" NPT(F)	3
TH9200 OMPBW	120	54	1/2	13	.910	24	65	20	3000	207	1/2	1/2 NPT(F)	4

*See page 10 size index 1

NEW! Reel Covers

See page 41



Interactive Reel Catalog

Visit reelcraft.com/catalog for complete product specifications, parts, and accessories.

Pivot Bases & Swing Brackets

See page 43