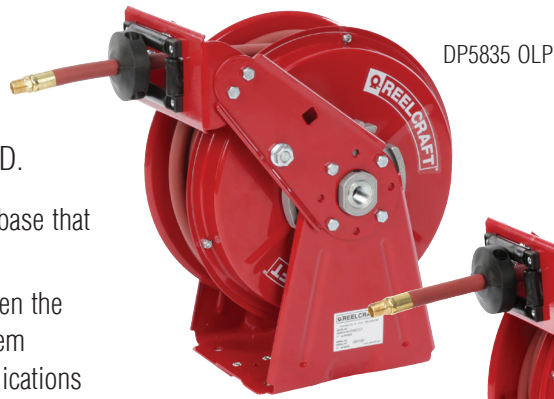


## Ultimate Duty Spring Retractable Hose Reels

**Air/Water/Oil/Grease** - 1/4", 3/8", 1/2" I.D.

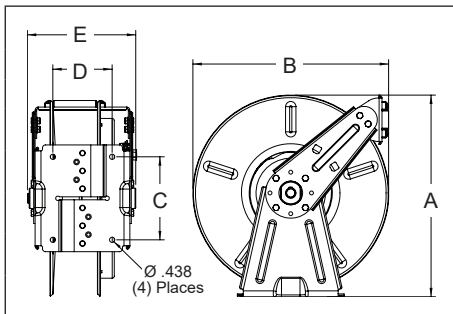
- Features an innovative, non-welded, interlocking base that increases the strength while utilizing fewer parts
- Independent testing to military standards has proven the reels stand up to heavy vibration, which makes them especially strong and ideal for truck-mounted applications
- Superbly engineered dual pedestal base and guide arm are structurally reinforced
- Torsion style latch spring life far exceeds that of conventional coil springs



DP5835 OLP



DP7850 OLP



		Dimensions - Size Index							
		1		2		3		4	
		in	mm	in	mm	in	mm	in	mm
<b>A</b>		16 <sup>3</sup> / <sub>8</sub>	416	16 <sup>3</sup> / <sub>8</sub>	416	17	432	17	432
<b>B</b>		14 <sup>3</sup> / <sub>8</sub>	365	14 <sup>3</sup> / <sub>8</sub>	365	16 <sup>1</sup> / <sub>2</sub>	419	16 <sup>1</sup> / <sub>2</sub>	419
<b>C</b>		7	178	7	178	7	178	7	178
<b>D</b>		4	102	5	127	4	102	5	127
<b>E</b>		8	203	9	229	8	203	9	229

**Meets or exceeds military vibration for Truck Transport test**

MIL-STD-810F  
500,000 mile equivalent

Model with hose & bumper	Shipping Weight		Hose I.D.		Hose O.D.		Hose Length		Max Pressure	NPT(M) Hose Outlet	NPT(F) Reel Inlet	NPT(F) Reel Outlet	Size Index #	
	lbs	kg	in	mm	in	mm	ft	m	psi	bar	in	in		
<b>Low Pressure Air/Water Reels</b> Maximum Temperature 150 °F (65 °C) Max working pressure is at 70 °F (20 °C)														
DP5435 OLP	34	15	1/4	6	.475	12	35	11	300	21	1/4	1/2	3/8	1
DP5450 OLP	37	17	1/4	6	.475	12	50	15	300	21	1/4	1/2	3/8	1
DP5635 OLP	41	19	3/8	10	.600	15	35	11	300	21	1/4	1/2	1/2	1
DP5650 OLP	44	20	3/8	10	.600	15	50	15	300	21	1/4	1/2	1/2	2
DP7650 OLP	50	23	3/8	10	.600	15	50	15	300	21	1/4	1/2	1/2	3
DP5835 OLP	52	24	1/2	13	.750	19	35	11	300	21	3/8	1/2	1/2	2
DP7850 OLP	53	24	1/2	13	.750	19	50	15	300	21	3/8	1/2	1/2	4
<b>Medium Pressure Oil Reels</b> Maximum Temperature 210 °F (99 °C)														
DP7650 OMP	55	25	3/8	10	.690	18	50	15	2600	179	3/8	1/2	1/2	3
DP7850 OMP	64	29	1/2	13	.820	21	50	15	3000	207	1/2	1/2	1/2	4
<b>High Pressure Grease Reels</b> Maximum Temperature 210 °F (99 °C)														
DP7450 OHP	59	27	1/4	6	.580	15	50	15	5000	345	1/4	1/2	3/8	3
DP5635 OHP	43	20	3/8	10	.730	19	35	11	4800	331	3/8	1/2	3/8	2
DP7650 OHP	65	29	3/8	10	.730	19	50	15	4800	331	1/4	1/2	3/8	3

Low pressure reels furnished standard with PVC hose. Medium pressure reels furnished standard with S.A.E. 100R1-AT (3/8") or S.A.E. 100R17 (1/2") one wire braid hose. High pressure reels furnished standard with S.A.E. 100 R2T two wire braid hose.

Model without hose & bumper	Shipping Weight		Hose Capacity			Max Pressure	NPT(F) Reel Inlet	NPT(F) Reel Outlet	Size Index #				
	lbs	kg	I.D.	O.D.	Length								
			in	mm	in	mm	ft	m	psi	bar	in	in	
<b>Low Pressure Air/Water Reels</b> Maximum Temperature 210 °F (99 °C)													
DP7800 OLP	45	20	1/2	13	.750	19	50	15	500	35	1/2	1/2	4
<b>Medium Pressure Oil Reels</b> Maximum Temperature 210 °F (99 °C)													
DP7600 OMP	45	20	3/8	10	.690	18	50	15	3000	207	1/2	1/2	3
DP7800 OMP	45	20	1/2	13	.820	21	50	15	3000	207	1/2	1/2	4

**Features**

- **Superior corrosion-resistance** - A double adhesive gasket seals the spring case.
- **Ease of operation** - The latch pawl is mounted on the guide arm to prevent latch out at full extension.



**Interactive Reel Catalog**

Visit [reelcraft.com/catalog](http://reelcraft.com/catalog) for complete product specifications, parts, and accessories.



**Pivot Bases & Swing Brackets**  
See page 43