

## Portable Hose Reel and Cart

- Series 30000 reels mounted on a portable cart are designed for rugged, heavy-duty applications requiring long lengths of hose and large storage capacity
- Helps to improve response time and reduce hose wear by storing them on a reel

Hose Reel and Cart Packages	
Package	Items Included
<b>600965</b>	12" hand crank hose reel (CA32112 L); 12" hand cart with pneumatic tires (600741-1); 10' inlet hose (600962)
<b>600966</b>	12" hand crank hose reel (CA32112 L); 12" hand cart with semi-pneumatic tires (600741-2); 10' inlet hose (600962)
<b>600968</b>	18" hand crank hose reel (CB37118 L); 18" hand cart with pneumatic tires (600885-1); 10' inlet hose (S600982-10)

### Additional Hoses

Hose: 1" ID x 100', 1" NPT x 1" NPSH: **S600982-100**

Hose: 3/4" ID x 150', 3/4" NPT x 1" NPSH: **601044-150**

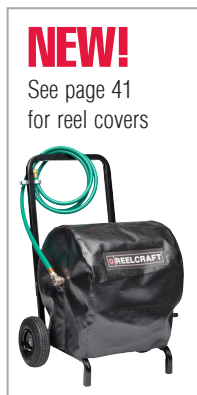
Inlet hose: 1" ID x 10', 1" NPT x 1" NPSH: **S600982-10**

### Garden Fitting Conversion Kits

1/2" NPTM x 3/4" GH: **260729**

3/4" NPTM x 3/4" GH: **261702**

**Note:** Refer to page 26 for Series 30000 hose reel dimensions and specifications.





## Hose Reel and Trailer

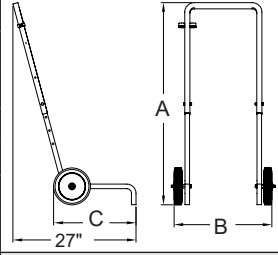
- Rugged, self-contained hose reel trailer easily attaches to most off-road vehicles or carts
- Makes spot watering easier, quicker, and more convenient
- Pre-drilled for 12" or 18" Series 30000 hose reels

Hose Reel and Trailer Packages	
Package	Items Included
<b>600911</b>	Trailer (600810); Hand rewind hose reel (CB37118 L); 10' lead hose (S600982-10); Roller bracket, top wind (S602133-3)
<b>600910</b>	Trailer (600810); 12 V DC Motor driven hose reel (EB37118 L12D); Switch and bracket (S600808); Battery box, battery not included (S600812); Chain guard (S600518); Roller bracket, top wind (S602133-3); Roller bracket, bottom wind (S602132-3); 10' lead hose with 1" I.D. (S600982-10)
<b>600810</b>	Trailer only - does not include hose or reel. Reels designed for trailer include motor driven EB37118 L12D and hand crank CB37118 L. Trailer weight 154 lbs / 70 kg.

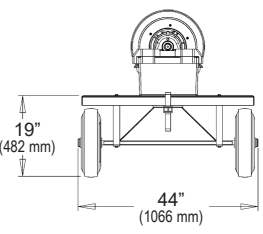
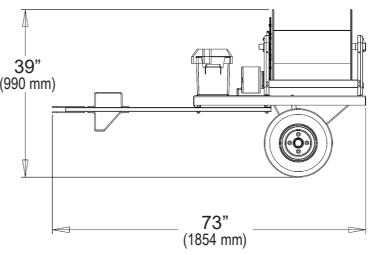


600910  
(hose not included)

Trailer Accessories	
	<b>S600812: Battery Box</b> - Battery not included. Supplied with mounting hardware. Inside dimensions = 9" height x 14" width x 7 1/2" depth
	<b>600814: Battery Cable Connector</b>
	<b>S600518: Chain Guard</b>
	<b>S600808: Operating Switch</b>
	See page 42 for switches, motors, and chain guards.

	Pneumatic	<b>600741-1</b>	<b>600885-1</b>
	Semi-Pneumatic	<b>600741-2</b>	<b>600885-2</b>
	Reel Size	<b>12"</b>	<b>18"</b>
		in mm	in mm
	<b>A</b>	Adjustable*	
	<b>B</b>	23 3/4 603	28 3/4 730
	<b>C</b>	18 1/4 464	18 1/4 464

\*Handle height of cart is adjustable to 35 5/8", 38 5/8", 41 1/2" or 44 1/2". Eight 5/16" (8mm) diameter mounting holes.

Trailer Dimensions	
	
Trailer designed for off-road use only, not for passenger transport. Maximum weight capacity 400 pounds. Maximum speed 15 miles per hour. Trailer, reel, and accessories sold separately.	