



Scotchlok™ 564

Self-Stripping Electrical Connectors

Data Sheet

Application

Use Part No. 564 to electrically connect two wires in a tap, inline, pigtail, or double run installation and insulate the connection.

Wire Range

18-14 AWG (.75-1.5 mm²) solid or stranded copper conductors. For use with common thermoplastic insulated wires such as: T, TF, TFF, TFN, TFFN, AWM, TEW, SAE-GPT with a maximum insulation diameter of .145 inches (3.5 mm).

Maximum recommended current for general purpose applications: 18 AWG - 7 AMPS, 16 AWG - 10 AMPS, 14 AWG - 15 AMPS.

Construction

U-contact - Tin plated brass, .03 in. (.8 mm) thick

Insulator - Polypropylene
Color - white

Weight

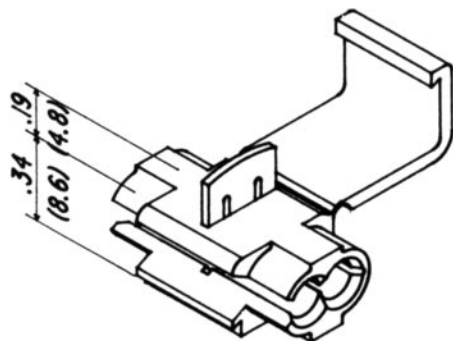
.0032 lb. (1.45 gm)

Recommended Installation Tools

9" Linemans Pliers

Mechanics (slip joint) Pliers

3M™ Crimping Tool No. E-9BM



inch
(mm)

Installation Instructions

⚠ WARNING

Turn power off before installing or removing terminal. All electrical work should be done according to appropriate electrical codes.

1. Place unstripped wires inside appropriate channels.
2. On tap, inline, and pigtail applications ends of wires should always be placed midway between connector element and end of connector for proper installation.
3. Hold tool perpendicular to the wires and make the connection by driving the cap down flush with the top edge of the connector body.
4. Close the hinged top cover until latched.

Typical Installations

